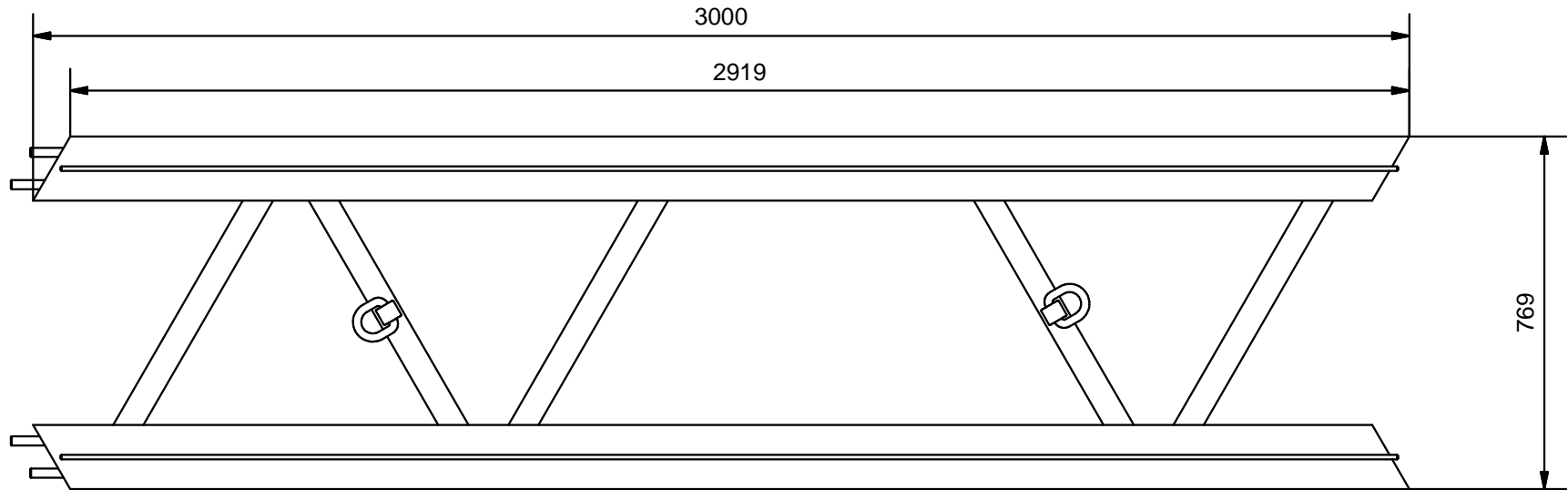
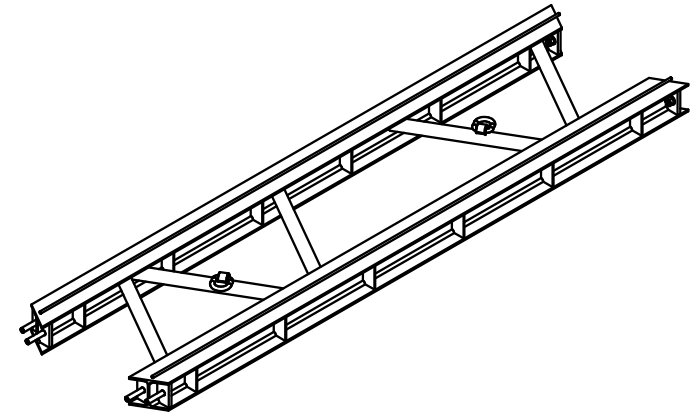
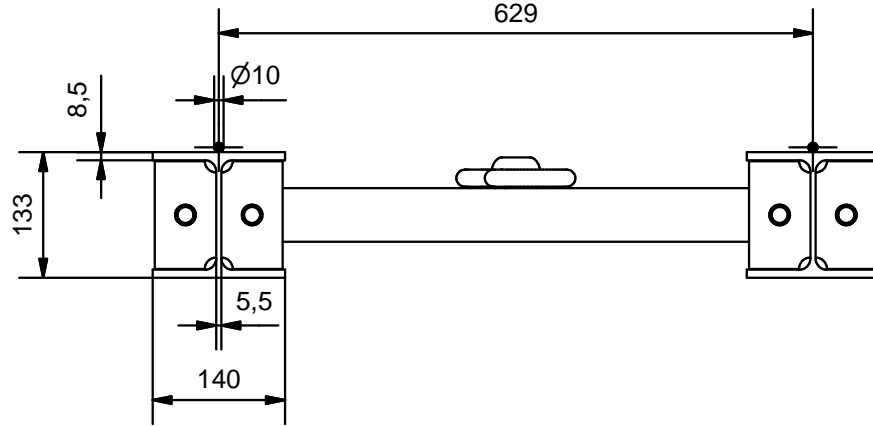


# Features STSL60-3

Gantry Type:	SL60	
Self Weight:	187 kg	(412 lbs)

(1:8)



OPAALSTRAAT 44, 7554 TS HENGELO HOLLAND  
 PO BOX 421, 7550 AK HENGELO HOLLAND  
 TELEPHONE 074-2422045 FACSMILE 074-2430338

**ENERPAC**   
 COPYRIGHTS RESERVED

3rd ANGLE  
 PROJECTION

Model Number: **STSL60-3**

Drawing Number: **02898.50.01.02**

Main Assembly Number: **02898.01.01.02**

REV.: 0	DATE: 31-10-2013	SCALE: 1:15	FORM: A4
---------	------------------	-------------	----------